



Article Number - 00017-2011

Date - 22nd Mar 2011

Article applies to - All Digital Yacht AIS products

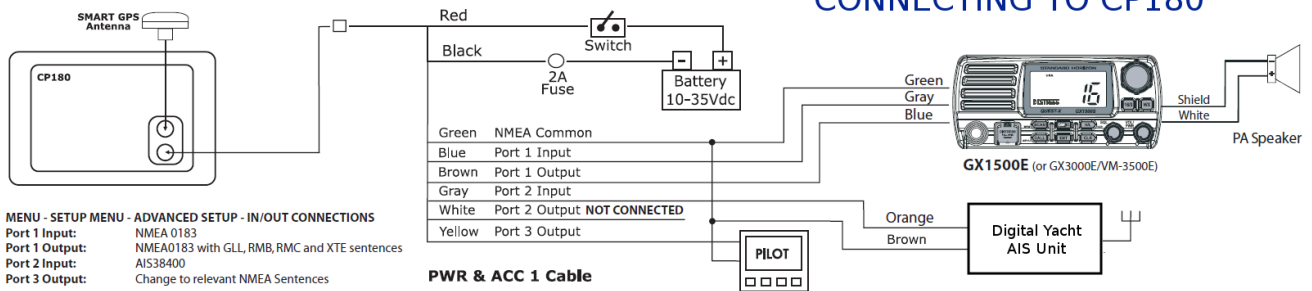
ISSUE: Connecting a Digital Yacht AIS to Standard Horizon Plotters

The popular range of Standard Horizon plotters are all AIS compatible and many customers fit a Digital Yacht AIS to them. The following Tech Article provides diagrams of how to connect your Digital Yacht AIS to your Standard Horizon chart plotter.

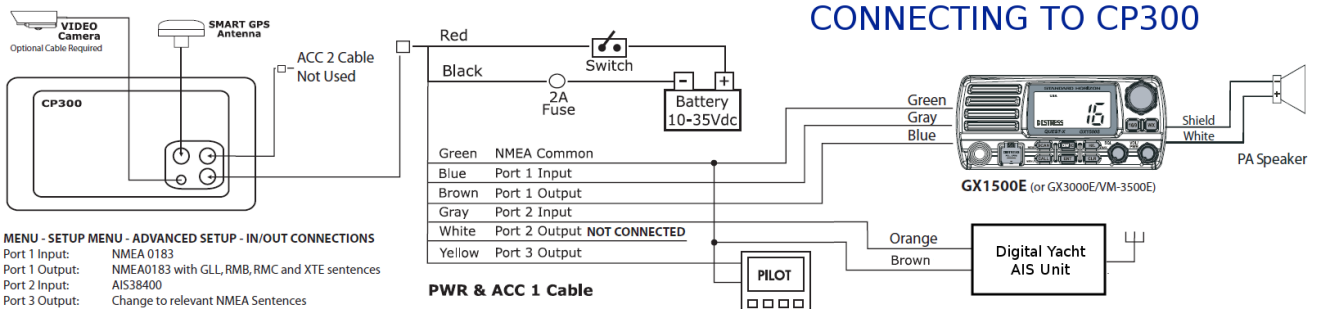
SOLUTION:

The diagrams below are applicable to; AIS100, AIS200, AIS200Pro, AIS200N2, iAIS and AIT1000.

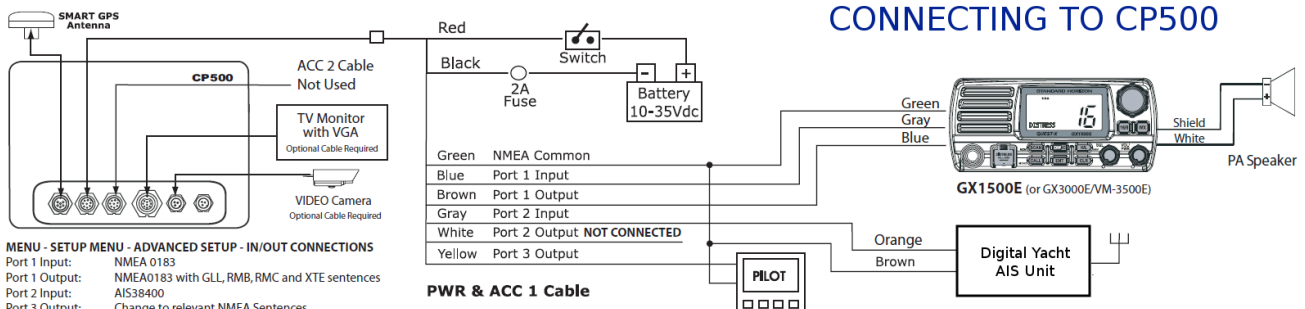
CONNECTING TO CP180



CONNECTING TO CP300

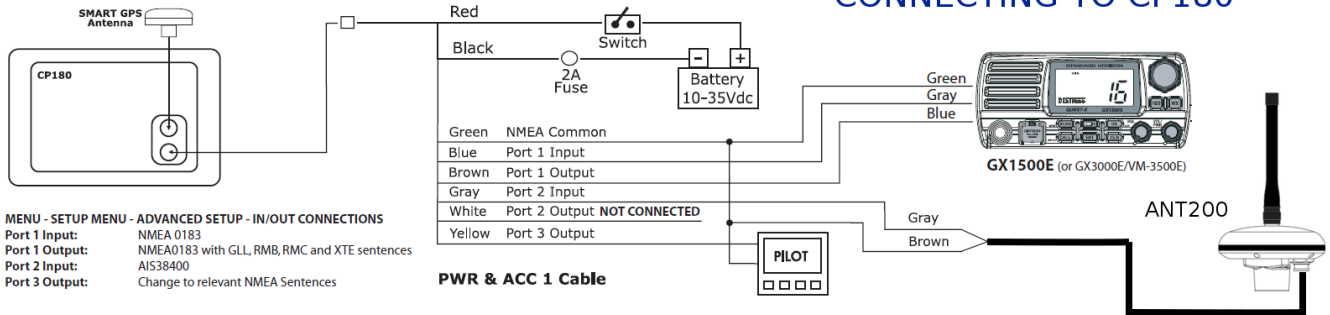


CONNECTING TO CP500

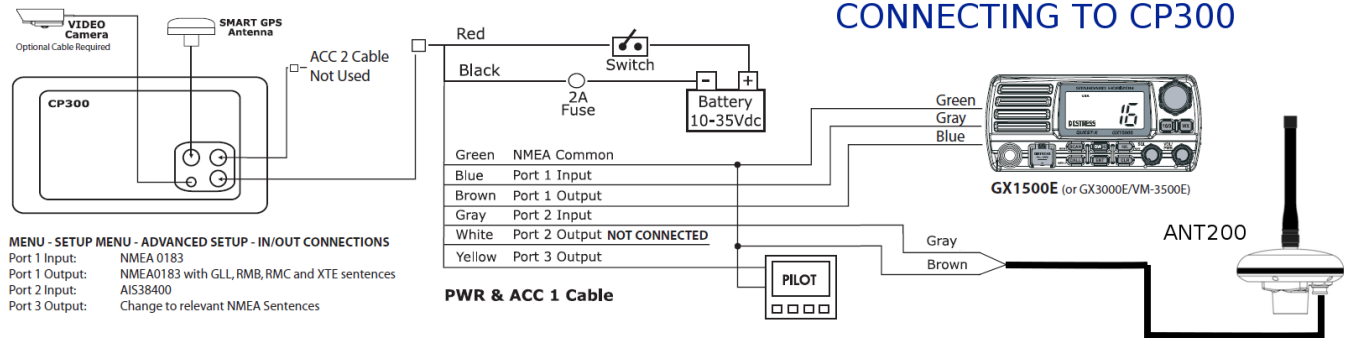


The following diagrams are applicable to the Digital Yacht ANT200 Smart AIS antenna.

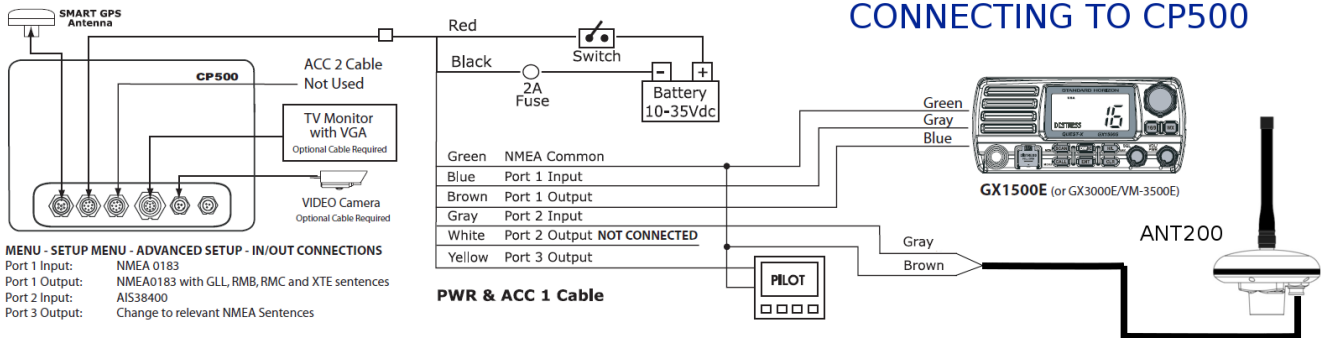
CONNECTING TO CP180



CONNECTING TO CP300



CONNECTING TO CP500



*** IMPORTANT NOTE ***

Before connecting an AIS unit to your plotter, we recommend you check that you have the latest software from Standard Horizon.